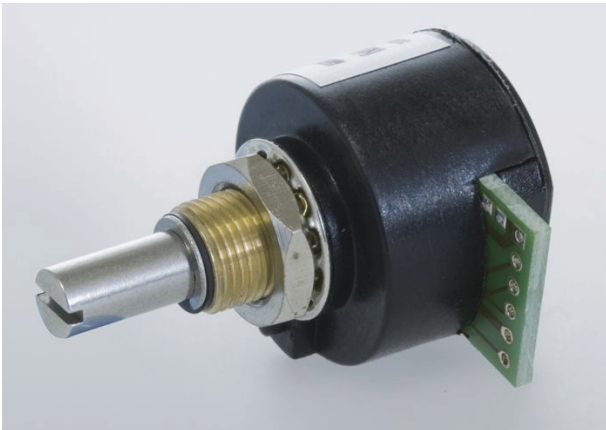
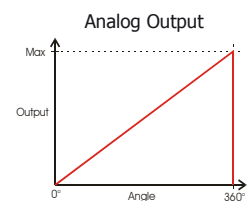


## Datasheet

### Infiniturn® Encoder mab25A



- Angle range 360°
- 10 Bit or 12 Bit resolution
- Analog Output: 4-20mA, 0-10V, 0-5V ratiometric
- Supply voltage: 24V, 5V



The absolute rotary encoder mab25A with analog output universal purpose with small housing and high life expectancy.



**Infiniturn® Encoder  
mab25A**

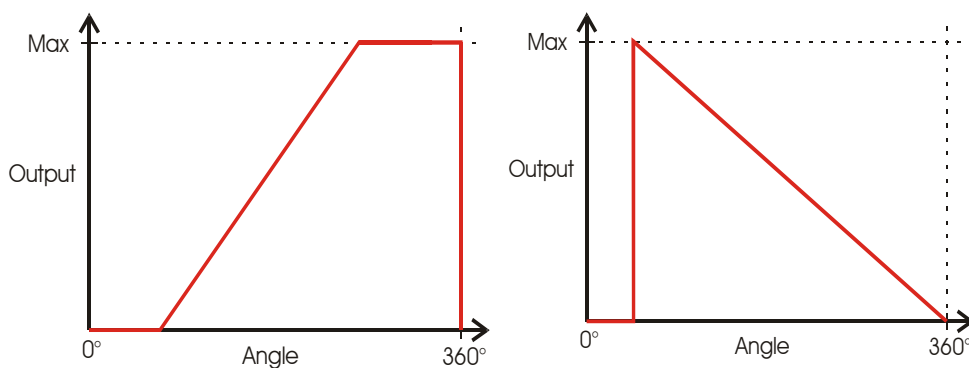
**Possible combinations**

Type	Resolution	Supply voltage	output
<b>MAB25A</b>	10HS	5V	0-5V, ratiometric
	10HS	24V (15-30V)	0-10V
	12	5V	0-5V, ratiometric
	12HS	5V	0-5V, ratiometric
	12	12V (9-30V)	0-5V
	12HS	12V (9-30V)	0-5V
	12	24V (15-30V)	0-5V, 0-10V
	12HS	24V (15-30V)	0-5V, 0-10V
	12	12V, 24V (8-30V)	4-20mA
	12HS	12V, 24V (8-30V)	4-20mA
	12	12V, 24V (8-30V)	0-20mA
	12HS	12V, 24V (8-30V)	0-20mA

Please note:

Not every combination is possible. Please refer to above table.

All sensors can be programmed with custom angles, custom output signals, signal direction and so on.



We do this custom programming from 25 pcs on. For the detailed information of all possibilities please refer to the **configuration sheet**.

**MegaMotive GmbH & Co. KG**

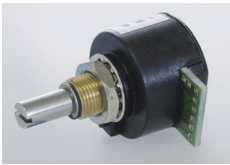
Hermann-Oberth-Str. 7  
85640 Putzbrunn / Munich  
Germany  
Tel.: +49 (0) 89 460 94 - 132  
Fax: +48 (0) 89 460 94 - 287  
www.megamotive.de  
sales@megamotive.de

(\*)

For more Options, please refer to our configuration sheet

Please note

The specifications and informations in this datasheet cannot consider all special demands that are caused by the application. Because of this, they are no general description of the properties of the product. Please also consider our detailed specifications.



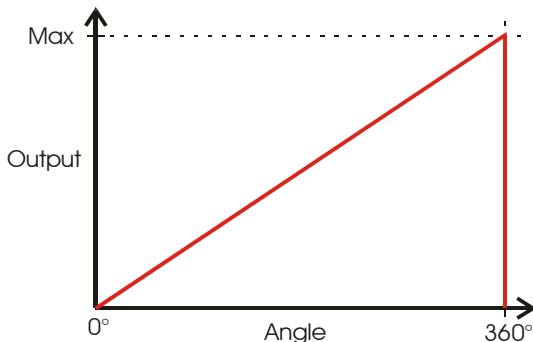
**Infiniturn® Encoder  
mab25A**

**Standard Options and Order Description**

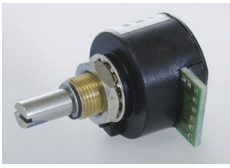
Type	Resolution speed	Supply Voltage	Output Signal	Order description
MAB25	12 Bit	5V	0 - 5V ratiometric	<b>MAB25A 12 0505</b>
		24V	0 - 10V	<b>MAB25A 12 2410</b>
			4 - 20mA	<b>MAB25A 12 2442</b>

All Standard Versions have an 360° angle and the signal direction is CW (clockwise).

Standard Analog Output 360° CW



Our speciality are customs solutions, economically priced on small series.  
 Mechanical: Special shaft, mounting of gear wheels and other mechanical parts.  
 Electrical: Please refer to our **configuration sheet**.



**Infiniturn® Encoder  
mab25A**

**Electrical Specifications**

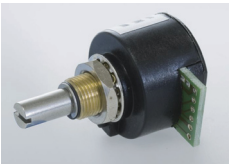
Electrical angle	360°	(*)
Independent Linearity tolerance	± 0,3%	

Voltage Output

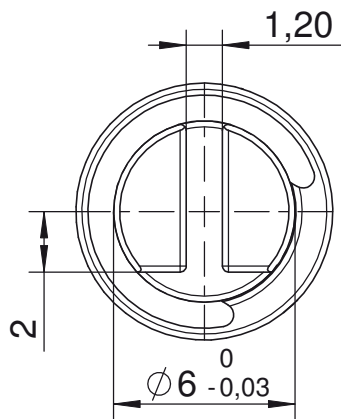
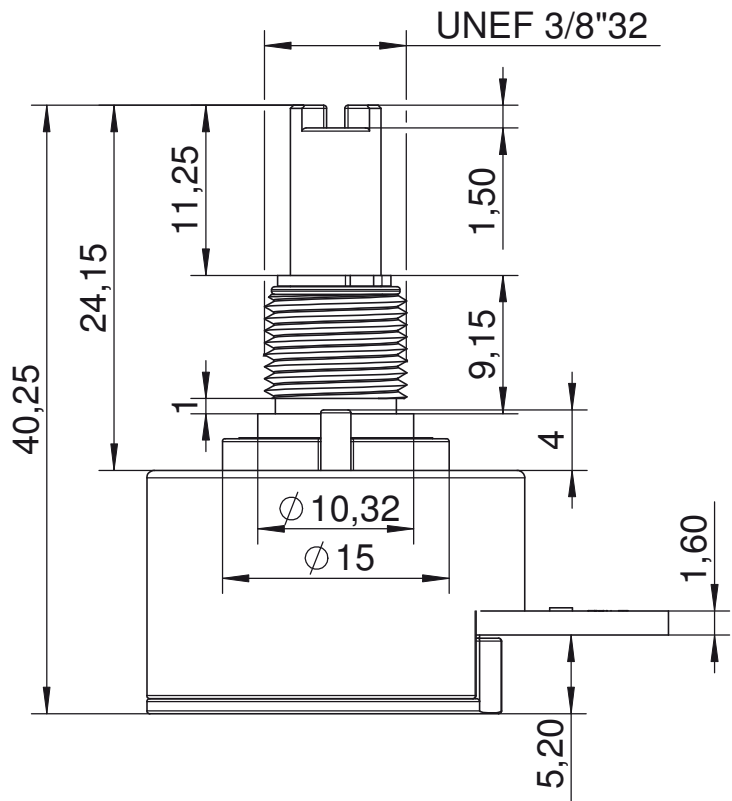
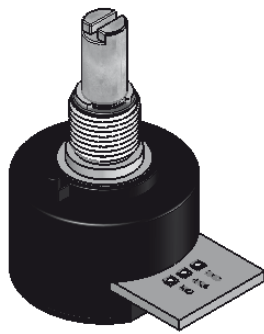
Resolution	4096 Steps (12 Bit) 1024 Steps (10 Bit)
Updaterate position	1,0 ms = 12 Bit 0,1 ms = 12 Bit High Speed
OutputSignal	0-10V (15 - 30 VDC) 0-5V ratiometric (±10%)
Power consumption	<10mA <20mA (High Speed)
Output resistance	>5 KΩ

Current Output

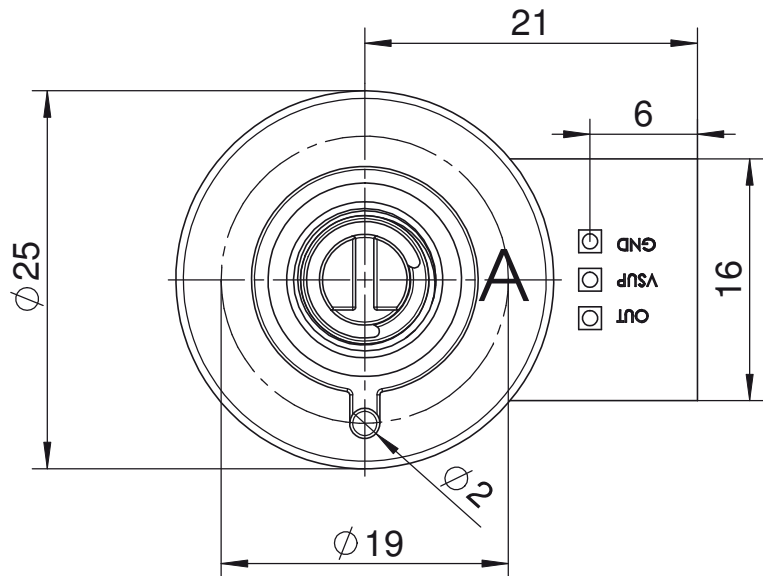
Resolution	4096 Steps (12 Bit)
Updaterate position	1,0 ms = 12 Bit 0,1ms = 12 Bit High Speed
Output Signal	4-20mA (8 - 30 VDC) 0-20mA (8 - 30 VDC)
Power consumption	<10 mA <20mA
Output resistance	>500 Ω

**Infiniturn® Encoder  
mab25A****Mechanical Specifications**

Housing	glas-fiber reinforced polyamid	
Material Shaft	stainless steel	
Bearing	polymer sleeve bearing	
Protection Class	Front IP65	
Operating temperature	-25 ... +80° C	
Storage temperature	-30 ... +80° C	
Dimensions	pls. find drawing at page 6	
Ø Shaft	Ø 6mm	(*1)
Max. rotational speed	6.000 turn/min	
Life expectancy	>50 Mio. turns	
Max. clamping torque of mounting nut	1 Nm	
Mounting parts	hex-nut, inner teeth washer	
weight	approx. 25 g	



VIEW A  
SCALE 4 : 1



The copying, use, distribution or disclosure of the confidential and proprietary information contained in this document(s) is strictly prohibited without prior written consent. Any breach shall subject the infringing party to remedies. The owner reserves all rights in the event of the grant of a patent or the registration of a utility model or design.

Die Weitergabe sowie Vervielfältigung dieser vertraulichen Unterlage(n), Verwertung und Mitteilung ihres Inhaltes ist ohne unserer vorherige schriftliche Genehmigung nicht gestattet. Zuwiderhandlungen verpflichten zu Schadensersatz. Alle Rechte für den Fall der Patenterteilung und Gebrauchsmustereintragung vorbehalten.

General Tolerances DIN 7168mH		Form and Coat Tolerances DIN/ISO 1101		Edges Dimension DIN 6784		Surface DIN/ISO 1302		Weight [g]			
		0,1 0,05		+0 -0,1 -0 +0,1		w (✓)		Material			
								Surface			
Index	Modification	Date	Name	Date	Name	Title					
				Drw.	16.12.2008	R25 A					
				Chkd..	16.12.2008	00068_R25_komplett_4_00_00					
				Norm		Project Number					
						00068			Sheet 1		
									of 1		
Megamotive GmbH & Co. KG Hermann-Oberth-Str. 7 85640 Putzbrunn / München Telefon: 089/46094-0 info@megamotive.de / www.megamotive.de						Format		DINA4		Scale: 2:1	