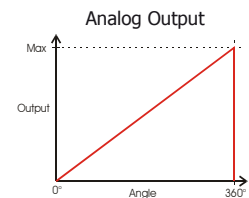


Datasheet

Infiniturn® Encoder mab40A



- Angle range 360°
- 12 Bit resolution
- Analog Output: 4-20mA, 0-10V, 0-5V ratiometric
- Supply voltage: 24V, 5V
- 2 Precision ball bearing



When cost effectiveness, rugged operation and versatility are paramount, then the mab40A is the ideal solution. 2 precision ball bearings and the magnetic measuring principle are warrants for a high life expectancy.



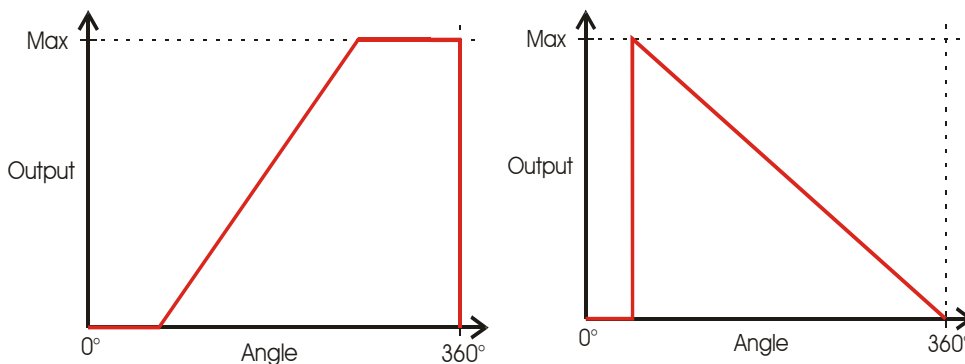
**Infiniturn® Encoder
mab40A**

Possible combinations

Type	Resolution	Supply voltage	output
MAB40A	12	5V	0-5V, ratiometric
	12HS	5V	0-5V, ratiometric
	12	12V (9-30V)	0-5V
	12HS	12V (9-30V)	0-5V
	12	24V (15-30V)	0-5V, 0-10V
	12HS	24V (15-30V)	0-5V, 0-10V
	12	12V, 24V (8-30V)	4-20mA
	12HS	12V, 24V (8-30V)	4-20mA
	12	12V, 24V (8-30V)	0-20mA
	12HS	12V, 24V (8-30V)	0-20mA

Please note:
Not every combination is possible. Please refer to above table.

All sensors can be programmed with custom angles, custom output signals, signal direction and so on.



We do this custom programming from 25 pcs on. For the detailed information of all possibilities please refer to the **configuration sheet**.

MegaMotive GmbH & Co. KG

Hermann-Oberth-Str. 7
85640 Putzbrunn / Munich
Germany
Tel.: +49 (0) 89 460 94 - 132
Fax: +48 (0) 89 460 94 - 287
www.megamotive.de
sales@megamotive.de

(*)

For more Options, please refer to our configuration sheet

Please note

The specifications and informations in this datasheet cannot consider all special demands that are caused by the application. Because of this, they are no general description of the properties of the product. Please also consider our detailed specifications.



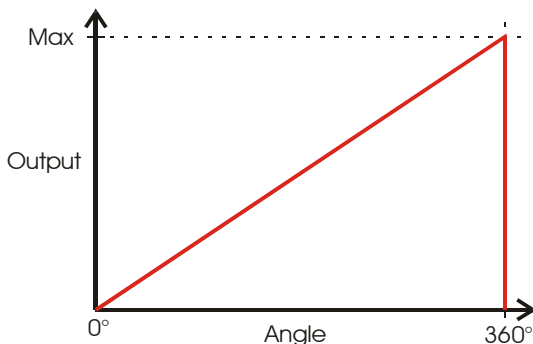
**Infiniturn® Encoder
mab40A**

Standard Options and Order Description

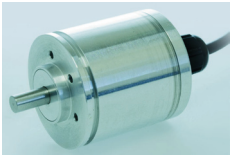
Type	Resolution Speed	Supply Voltage	Output Signal	Order description
MAB40A	12 Bit	5V	0 - 5V ratiometric	MAB40A 12 0505
		24V	0 - 10V	MAB40A 12 2410
			4 - 20mA	MAB40A 12 2442

All Standard Versions have an 360° angle and the signal direction is CW (clockwise) with 3 Pole Cable.

Standard Analog Output 360° CW



Our speciality are customs solutions, economically priced on small series.
 Mechanical: Special shaft, mounting of gear wheels and other mechanical parts.
 Electrical: Please refer to our **configuration sheet**.



**Infiniturn® Encoder
mab40A**

Electrical Specifications

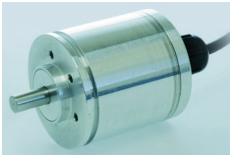
Electrical angle	360°	(*)
Independent Linearity tolerance	± 0,3%	

Voltage Output

Resolution	4096 (12 Bit)
Updaterate position	1,0 ms = 12 Bit 0,1 ms = 12 Bit High Speed
OutputSignal	0-10V (15 - 30 VDC) 0-5V ratiometric (±10%)
Power consumption	<10mA <20mA (High Speed)
Output resistance	>5 KΩ

Current Output

Resolution	4096 (12 Bit)
Updaterate position	1,0 ms = 12 Bit 0,1ms = 12 Bit High Speed
Output Signal	4-20mA (8 - 30 VDC) 0-20mA (8 - 30 VDC)
Power consumption	<10 mA <20mA
Output resistance	>500 Ω



**Infiniturn® Encoder
mab40A**

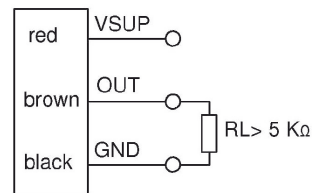
Mechanical Specifications

Housing	chormed aluminium
Material Shaft	stainless steel
Bearing	2 precision ball bearing
Protection Class	IP67
Operating temperature	-30 ... +80° C
Storage temperature	-30 ... +80° C
Dimensions	pls. find drawing at page 6
Ø Shaft	Ø 6mm (*1)
Max. rotational speed	6.000 turn/min
Life expectancy	>50 Mio. turns
weight	approx. 70 g

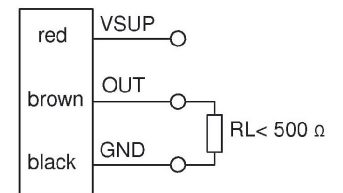
Cable

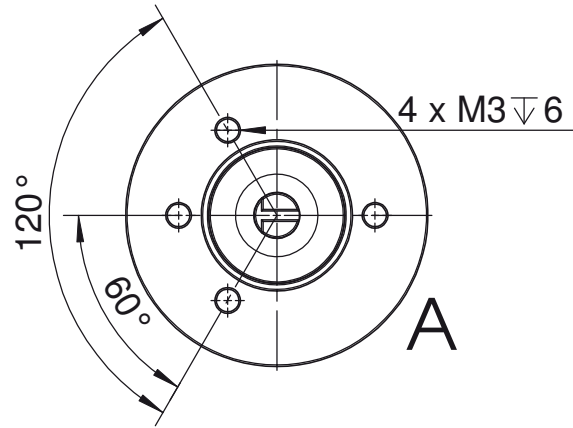
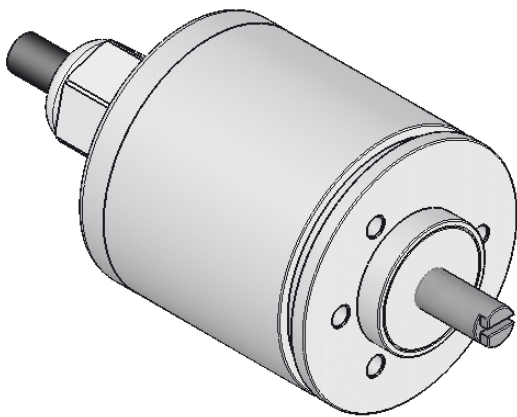
3xAWG26 shielded Ø 4,4mm 1,00m long (*1)

Voltage Output

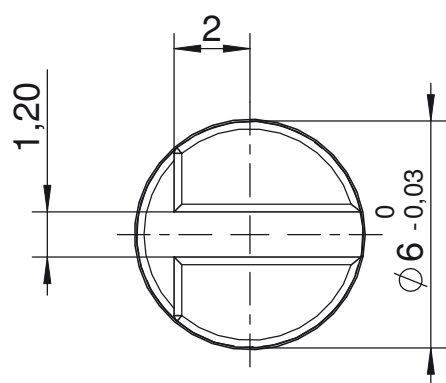
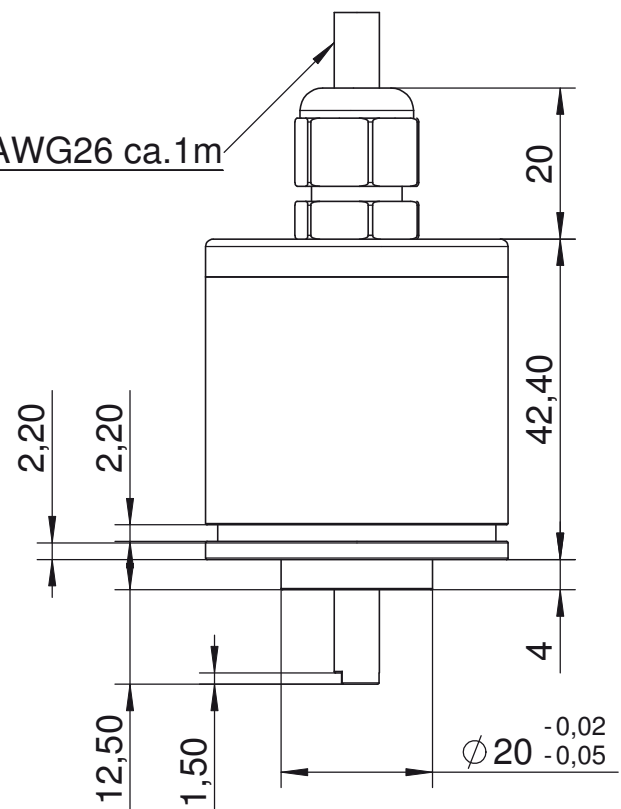


Current Output





Cable AWG26 ca.1m



VIEW A
SCALE 5 : 1



The copying, use, distribution or disclosure of the confidential and proprietary information contained in this document(s) is strictly prohibited without prior written consent. Any breach shall subject the infringing party to remedies. The owner reserves all rights in the event of the grant of a patent or the registration of utility model or design.

Die Weitergabe sowie Vervielfältigung dieser vertraulichen Unterlage(n), Verwertung und Mitteilung ihres Inhaltes ist ohne unserer vorherige schriftliche Genehmigung nicht gestattet. Zuwiderhandlungen verpflichten zu Schadenersatz. Alle Rechte für den Fall der Patenterteilung und Gebrauchsmustereintragung vorbehalten

General Tolerances DIN 7168mH		Form and Coat Tolerances DIN/ISO 1101		Edges Dimension DIN 6784		Surface DIN/ISO 1302		Weight [g]			
		0,1 0,05		+0 -0,1 -0 +0,1							
Index	Modification	Date	Name	Date	Name	Title					
				Drw.	23.10.2008	DB R40					
				Chkd..	23.10.2008	00057_R40_komplett_4_00_00					
				Norm		Project Number					
						00057					
						Sheet 1 of 1					
Megamotive GmbH & Co. KG Hermann-Oberth-Str. 7 85640 Putzbrunn / München Telefon: 089/46094-0 info@megamotive.de / www.megamotive.de						Format	DINA4			Scale:	1:1