

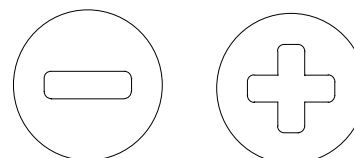
831

CONTACTS JOYSTICK

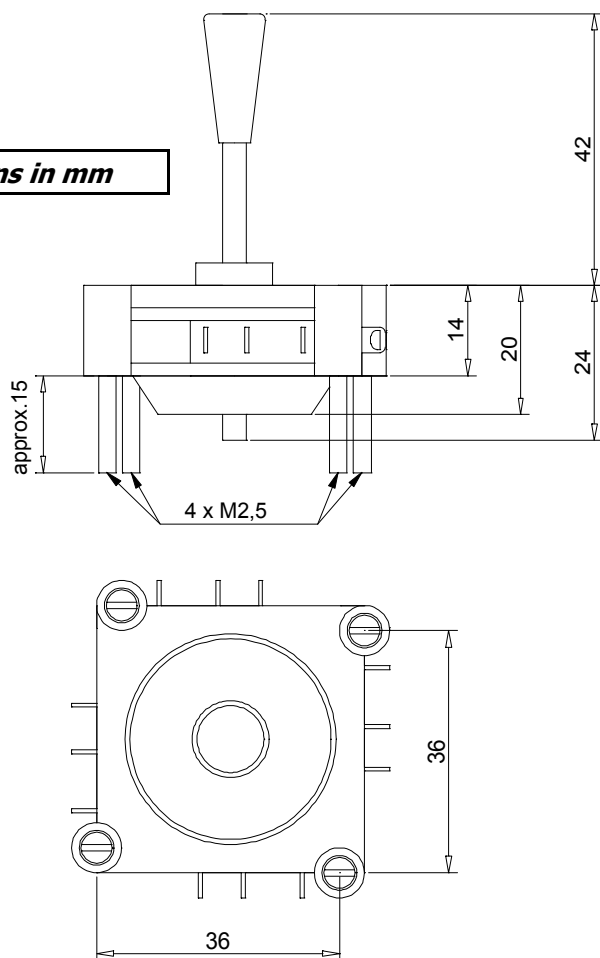


- 2 axis
- Sealing : dust and humidity
- Automatic centering

Limiter plate for 1 and 2 axis



All dimensions in mm



Robust contacts for current reaching up to 5 A and voltage up to 250 VAC. Excellent ratio price/quality.

Mechanical data	
Rotation (X and Y axis)	±12 °
Knob axis	steel
Case	nylon
Housing	Nylon / PVC
Mounting screw	M 2,5

Electrical data	
Contacts surface	gold
Maximal current	5 A
Maximal voltage	240 V
Contacts type	switch
Connection	soldering

Ordering References and Options

	Serial	Axis	ezeL	Return	Knob
Contacts Joystick	831				
1 and 2 axis		2			
PVC			1		
Automatic centering				1	
Cylindrical cone					1
Example	831	2	1	1	1

Please contact us for any questions or special request

Sf_831_0405_e01



MEGATRON S.A.R.L
ZI de Noyer
74200 ALLINGES
<http://composants.megatron.fr>

Tél : +33 (0)4 50 70 54 54
Fax : +33 (0)4 50 70 56 56
Email : info@megatron.fr