

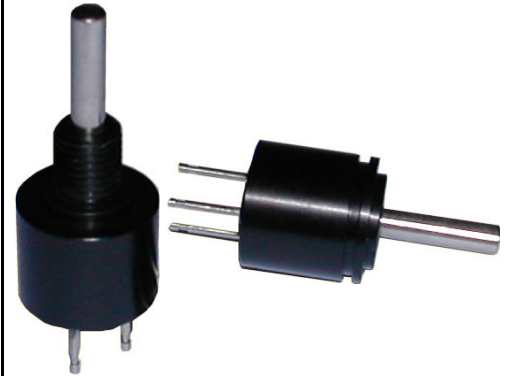
P5-P5P

SMALL WIREWOUND POTENTIOMETER

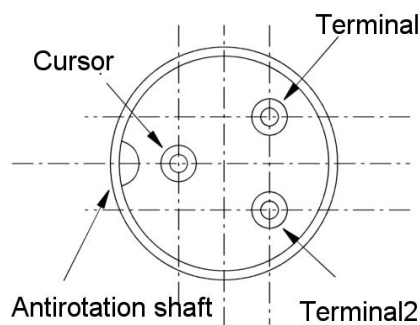
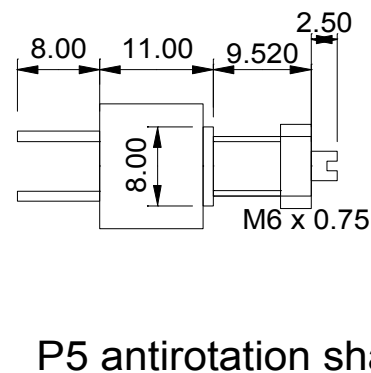
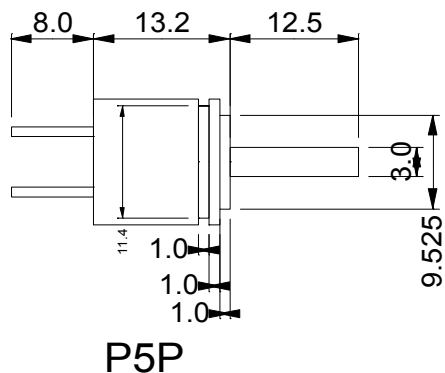
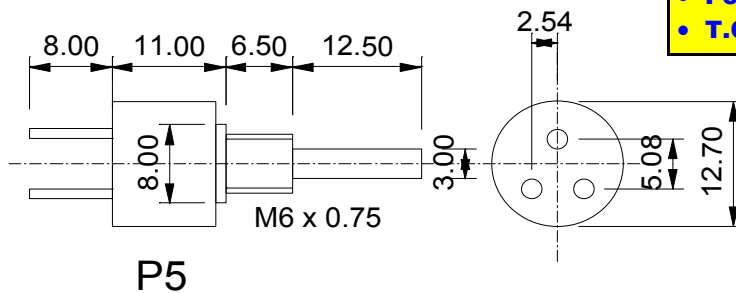
This potentiometer is either for manual settings (P5) or automatic ones (P5P).

Single turn

Size 05



- With and without stop
- Linearity $\pm 0.25\%$
- Power 0.5W
- T.C. 50 ppm



Connection P5 / P5P

Electrical Spec.	P5	P5P
Description	1 turn with stop	1 turn without stop
Standard tolerance (%)		± 5
Standard linearity (%)		± 0.25
Residual resistance for value > 500 Ω	< 1/1000 of resistance value	
Dielectric strength	500 V DC / 1 min.	
Residual resistance for value < 500 Ω (Ω)	< 0.5	
Electrical angle (°)	300±2	345±2
Power rating at 70 ° (W)		0.5
Temperature drift (PPM/°C)		< 50
Insulation resistance (MΩ)		1000
Mechanical Spec.		
Mechanical angle (°)	320 maxi	-
Life expectancy (turns)	500 000	3 000 000
Rotational torque (N.cm)	0.30 mini	< 0.20 mini
Starting torque (N.cm)	0.40 maxi	0.20 maxi
Environmental Spec.		
Operating temperature (°C)	-55 .. +125	

Resistance value (Ω)	10	22	47	100	220	470	1k	2k2	4k7	10k
Material of winding	Constantan					Nickel chromium				
Number of windings P5 P5I	90	130	200	300	310	320	420	480	600	920
Number of windings P5P	98	141	220	325	340	360	450	510	660	980

Options:

Better tolerances 3%, 1%.

Various shaft lengths, slot with antirotation shaft

Mechanical angle 345° ± 2 on P5