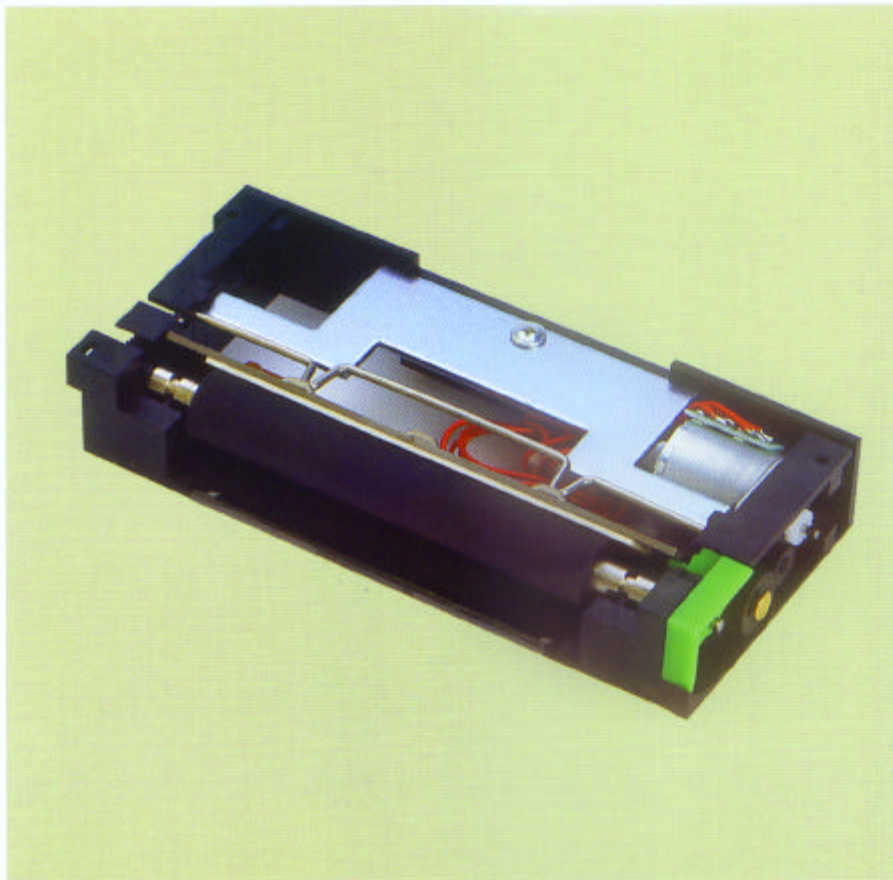




ADVANCED PRINTING SYSTEMS, LTD.

# CP305, CP324, CP324-S

SOLID CONSTRUCTION, COMPACT AND QUIET THERMAL PRINTERS DESIGNED FOR HEAVY DUTY APPLICATIONS



## FEATURES

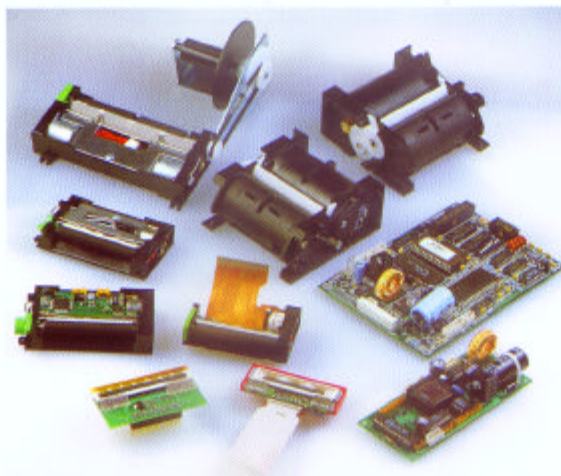
- 82.5 mm paper width available
- Solid construction for heavy duty applications
- High speed printing for gaming applications - up to 6 ips
- Low noise
- TORSION BAR™ design for easy printhead maintenance and best quality graphics
- Front and bottom paper loading
- Available in 5 volt or 24 volt

## APPLICATIONS

- Cash registers
- Gaming
- Portable printer
- Ticketing
- Kiosk
- ATM Machines
- Medical equipment

PATENTED  
TORSION BAR DESIGN

**THE APS FAMILY**  
APS offers a complete line of thermal printer mechanisms as well as full custom printing solutions.



## Specifications

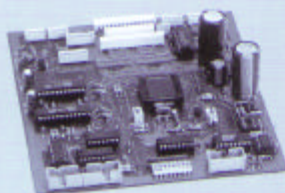
	CP305	CP324	CP324-S
<b>Print Method</b>	Thermal line printing	Thermal line printing	Thermal line printing
<b>Number of dots</b>	576	576	576
<b>Resolution (dots/mm)</b>	8 dots/mm	8 dots/mm	8 dots/mm
<b>Print width (mm)</b>	72 mm	72 mm	80 mm
<b>Paper width (mm)</b>	80 mm	80 mm	82.5 mm
<b>Max. Paper thickness (mm)</b>	150 mm	80 mm	150 mm
<b>Paper loading</b>	Automatic	Automatic	Automatic
<b>Dot resistance (Ohms)</b>	142+/-4% Ω	1500+/-3% Ω	800+/-3% Ω
<b>Voltage (Logic / Head)</b>	5/5	5/24	5/24
<b>Energy per dot (mJ)</b>	0.31 mJ	0.22 mJ	0.17 mJ
<b>Average consumption (20%)</b>	1.5 A	1.0 A	1.5 A
<b>Printing speed (mm/s)</b>	50 mm/s	60 mm/s	120 mm/s
<b>Paper feed</b>	Front and bottom	Front and bottom	Front and bottom
<b>Paper detection</b>	Optosensor	Optosensor	Optosensor
<b>Head-up detection</b>	Switch	Switch	Switch
<b>Temperature detection</b>	Thermistor 30K	Thermistor 30K	Thermistor 30K
<b>Stepper motor (Ohms)</b>	Bipolar 13	Bipolar 150	Bipolar 13
<b>Weight (g)</b>	125g	125g	125g
<b>Life / reliability</b>	50kms / 100 million pulses	50kms / 100 million pulses	50kms / 100 million pulses
<b>Operating temperature (°C)</b>	0/50 ° C	0/50 ° C	0/50 ° C
<b>Operating humidity (%)</b>	20-85% no condensing	20-85% no condensing	20-85% no condensing
<b>Dimensions (WxDxL) mm</b>	120 x 55 x 20 mm	120 x 55 x 20 mm	120 x 55 x 20 mm

### OPTIONS

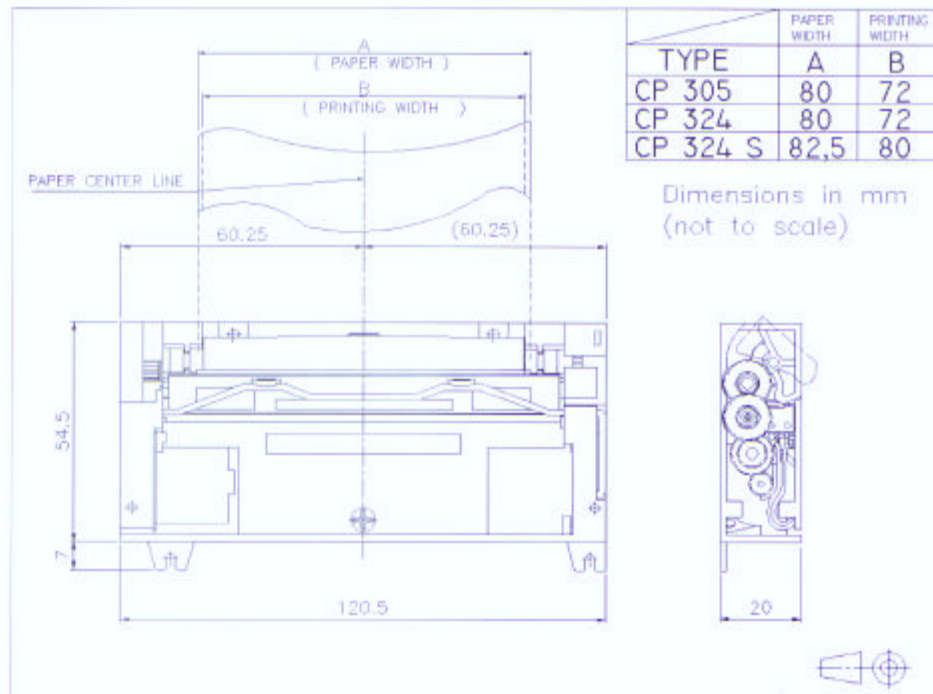
#### •Cutter



Chipset



Control Board



Notes:

Represented by



ADVANCED PRINTING SYSTEMS

- A.P.S. Industrial - S.r.l. Via delle Scienze, 10 20082 Binasco (mi) Italy - Tel 39 2 90093627 - Fax 39 2 90093501 - <http://www.a-p-s.net>
- A.P.S. Engineering - 14 Rue du Soleillet 75971 Paris Cedex 020 France - Tel. 33 1 40337977 - Fax 33 1 40337910 - <http://www.a-p-s.net>
- A.P.S. Advanced Printing Systems Ltd - 66 Wigmore St., LONDON, W1H 0HQ United Kingdom - <http://www.a-p-s.net>
- A.P.S. America - 2309 Carroll Park South, Long Beach, CA 90814 - Tel. (562) 438-1736 - Fax (562) 438-1797 - <http://www.a-p-s.net>