



ADVANCED PRINTING SYSTEMS, LTD.

CP405, CP424, CP424-S

HEAVY DUTY, COMPACT AND QUIET THERMAL PRINTERS
DESIGNED FOR INDUSTRIAL APPLICATIONS



FEATURES

- 5V and 24V printer
- High speed printing for gaming applications
- Wide lever for easy loading
- Low noise
- No loose wiring - Double flex connectors contain all wiring

APPLICATIONS

- Cash Registers
- Gaming
- Portable printer
- Ticketing
- Kiosks
- ATM machines
- Medical equipment

PATENTED
TORSION BAR DESIGN

THE APS FAMILY
APS offers a complete line of thermal printer mechanisms as well as full custom printing solutions.



Specifications

	CP405	CP424	CP424-S
Print Method	Thermal line printing	Thermal line printing	Thermal line printing
Number of dots	832	864	832
Resolution (dots/mm)	8 dots/mm	8 dots/mm	8 dots/mm
Print width (mm)	104 mm	108 mm	104 mm
Paper width (mm)	114 mm	114 mm	114 mm
Max. Paper thickness (mils)	4.2 mils	6 mils	6 mils
Paper loading	Automatic	Automatic (5 volts)	Automatic
Dot resistance (Ohms)	142+/-4% Ω	1500+/-3% Ω	800+/-3% Ω
Voltage (Logic / Head)	5/5 V	5/24 V	5/24 V
Energy per dot (mJ)	0.31 mJ	0.22 mJ	0.17 mJ
Average consumption (20%)	3.0 A	2.0 A	2.0 A
Printing speed (mm/s)	50 mm/s	60 mm/s	100 mm/s
Paper detection	Opto-sensor	Opto-sensor	Opto-sensor
Head-up detection	Switch	Switch	Switch
Temperature detection	Thermistor	Thermistor	Thermistor
Stepper motor (Ohms)	Bipolar 13	Bipolar 150	Bipolar 13
Weight (g)	180g	180g	180g
Life / reliability	50kms / 100 million pulses	50kms / 100 million pulses	50kms / 100 million pulses
Operating temperature (°C)	0/50 °C	0/50 °C	0/50 °C
Operating humidity (%)	20-85% non condensing	20-85% non condensing	20-85% non condensing
Dimensions (WxDxL) mm	156 x 60 x 27 mm	156 x 60 x 27 mm	156 x 60 x 27 mm

OPTIONS



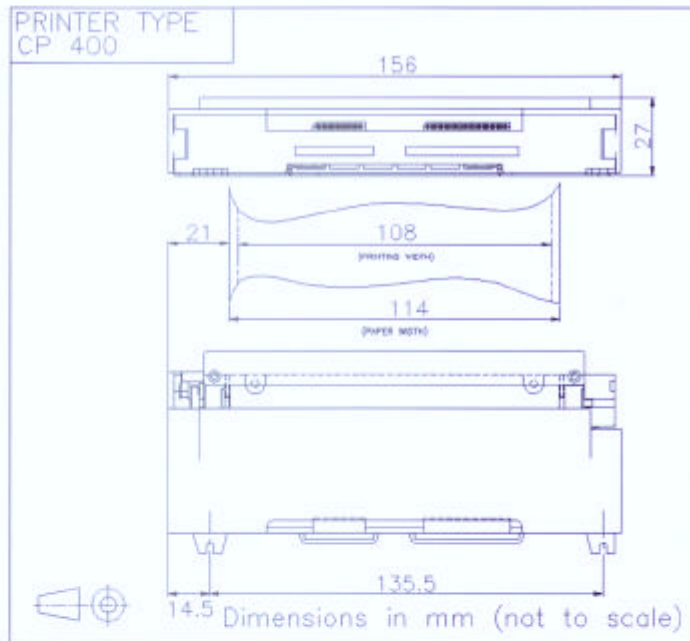
Chipset



4" Cutter



Integrated Control Board



Represented by:



ADVANCED PRINTING SYSTEMS

- A.P.S. Industrial - S.r.l. Via delle Scienze, 10 20082 Binasco (mi) Italy - Tel 39 2 90093627 - Fax 39 2 90093501 - <http://www.a-p-s.net>
- A.P.S. Engineering - 14 Rue du Soleillet 75971 Paris Cedex 020 France - Tel. 33 1 40337977 - Fax 33 1 40337910 - <http://www.a-p-s.net>
- A.P.S. Advanced Printing Systems Ltd - 66 Wigmore St., LONDON, W1H 0HQ United Kingdom - <http://www.a-p-s.net>