



ADVANCED PRINTING SYSTEMS, LTD.

# ELM205 Series

SMALLEST EASY LOADING PRINTERS IN THE WORLD  
ESPECIALLY DESIGNED FOR POS, EFT AND BATTERY APPLICATIONS



## FEATURES

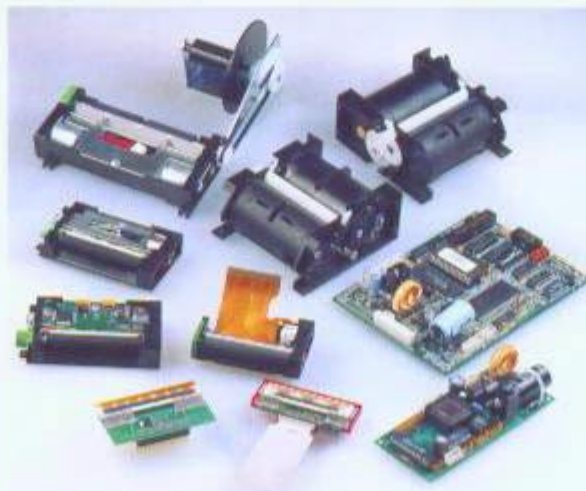
- Ultra compact design - width 66.7mm and weight only 37g
- No loose wiring - single flexi-cable houses all wiring
- Ergonomic design - centered paper path allows uniform and aesthetic housing design
- High reliability due to its patented easy loading design
- Prints high quality characters speeds up to 80mm/s
- Low cost

## APPLICATIONS

- Portable printer
- POS
- Cash register
- Weighing equipment
- Medical equipment

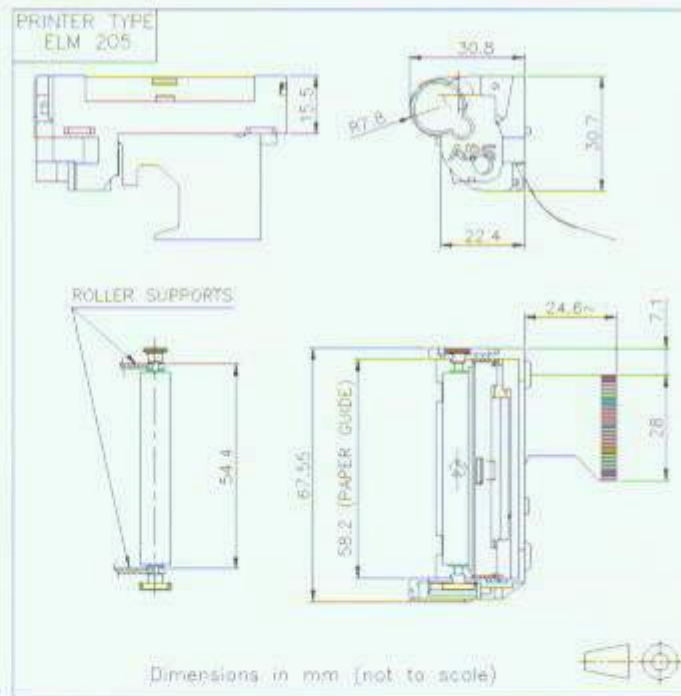
**PATENTED**  
LOCK IN LOADING DESIGN

**THE APS FAMILY**  
APS offers a complete line of thermal printer mechanisms as well as full custom printing solutions.



## Specifications

	ELM205-LV	ELM205-ST	ELM205-HS
<b>Print Method</b>	Thermal line printing	Thermal line printing	Thermal line printing
<b>Number of dots</b>	384	384	384
<b>Resolution (dots/mm)</b>	8 dots/mm	8 dots/mm	8 dots/mm
<b>Print width (mm)</b>	48 mm	48 mm	48 mm
<b>Paper width (mm)</b>	58 mm	58 mm	58 mm
<b>Max. Paper thickness (mils)</b>	3.2 mils	3.2 mils	3.2 mils
<b>Paper loading</b>	Easy loading	Easy loading	Easy loading
<b>Dot resistance (Ohms)</b>	123 Ω	142 Ω	176 Ω
<b>Voltage (Logic / Head)</b>	2.7-7.25/3-7.2 V	5/5 V	2.7-7.25/5-8.5 V
<b>Energy per dot (mJ)</b>	0.15 mJ	0.31 mJ	0.13 mJ
<b>Average consumption (20%)</b>	0.8 A	1.0 A	0.8A
<b>Printing speed (mm/s)</b>	70 mm/s	70 mm/s	85 mm/s
<b>Paper detection</b>	Opto-sensor	Opto-sensor	Opto-sensor
<b>Temperature detection</b>	Thermistor	Thermistor	Thermistor
<b>Stepper motor (Ohms)</b>	Bipolar 13	Bipolar 13	Bipolar 13
<b>Weight (g)</b>	37g	37g	37g
<b>Life / reliability</b>	50kms / 100 million pulses	50kms / 100 million pulses	50kms / 100 million pulses
<b>Operating temperature (°C)</b>	0/50 °C	0/50 °C	0/50 °C
<b>Operating humidity (%)</b>	20-80% non condensing	20-80% non condensing	20-80% non condensing
<b>Dimensions (WxDxL) mm</b>	67 x 22.4 x (30/15.5) mm	67 x 22.4 x (30/15.5) mm	67 x 22.4 x (30/15.5) mm



Represented by:

Notes:



ADVANCED PRINTING SYSTEMS