

60 MM KIOSK THERMAL PRINTER

The D117 kiosk printer was especially design for kiosks applications. The printing and cutting up tickets fall on a receptacle protected by a door on the reception terminal. The 80mm diameter paper roll allow for a long self-sufficiency.

This printer is entirely metallic, therefore it withstands harsh conditions. A no-frost resistance is also proposed as an option, in order to avoid humidity on the paper during a cold period. The RS232C interface enables to drive the printer from a remote computer.

The reception terminal should be equipped with 2 sliding channels for the mounting rails and with a front face door and an additional opening for the ticket reception. The paper replacement is easily achieved by tipping-over the internal support.

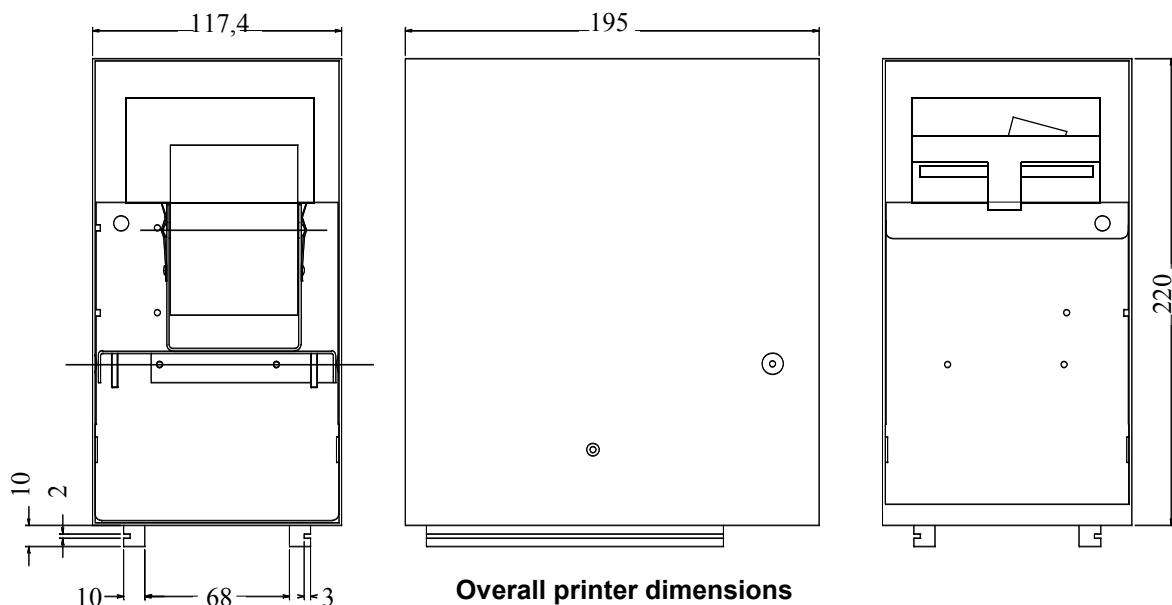
CHARACTERISTICS

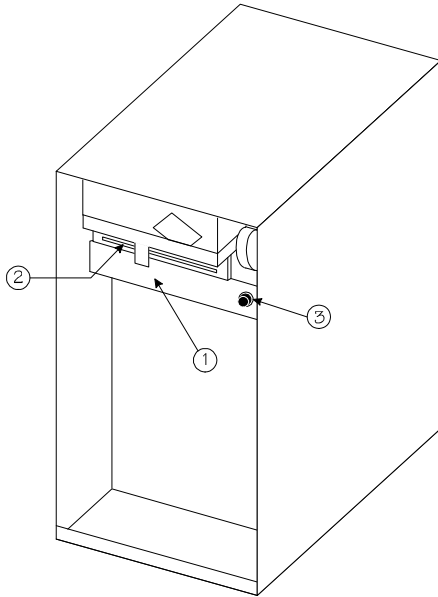
- Citizen LT-280 thermal printing mechanism
- Citizen Star AC-5F paper-cutter
- Power supply warning light
- 60mm paper width, 80mm diameter, reference: MPA-TH-60-80-1

24V LINE THERMAL PRINTER



- 60mm thermal printing system
- Big paper reserve
- Ticket's receptacle
- 24 VDC power supply
- Serial RS232C / V24 interface
- Optional no-frost heating system





ITC-280 INTERFACE

Interface	Serial RS232C/V24
Handshake	Material or Xon/Xoff
Power supply	24 VDC ±10%
Max. consumption	6 A (printing in 2 times)
Normal consumption	1 A (text printing)
Waiting consumption	< 100 mA
Reception pad	1800 bytes
Characters / lines	40 (matrix 13 x 11)

PRINTING SYSTEM CITIZEN LT-280

Printing mode	Thermal, 1 line of 448 dots
Text printing speed	2,8 lines of characters / sec
Printing width	58 mm
Printer life	5 x 10 ⁷ pulses
Printing length	30 kms
Working humidity	35% to 80% (without condensation)
Working temperature	5 to 40°C
Guillotine	AC-5F

CASE

Fixing	by sliding rails (space of 82 mm)
Buttons	Paper feed and tickets cutting
Accessories	No-frost resistance PTC 220 VAC (optional)
Dimensions in mm (L x H x P)	118 x 220 x 195 mm

SOUND SIGNALS

During a characters line printing session, a sound signal is given. In case of paper default or open head (lever 4 at the low position), some sound signals are given every 10 seconds. Moreover, there are some speed flashing light.

LIGHT SIGNAL

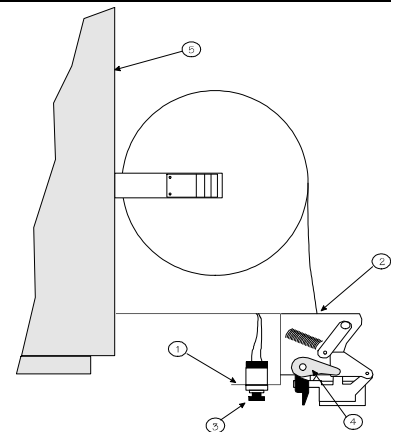
The printers warning light inform about the printer operation. The following board explain correspondence between problems and light signal.

PRINTER STATE	LIGHT SIGNAL
Correct operation	
Default of paper or open head	
Default of guillotine	
Default of memory	
Checksum error	
Abnormal head Temperature	

Light ON - Light OFF

STEPS FOR THE PAPER ROLL REMOVING :

- 1) Open the printer's access door.
- 2) Pull handle "1", in order to tip up the mechanism and to have access to the paper roll.
- 3) Open the head in lowering the white lever "4" on the print head left side. The warning light "5" are flashing very fast and a series of little sound signals are emitted from the printer.
- 4) Take out the empty paper roll (pull).
- 5) Recover the axis and install it on the new paper roll.
- 6) Install the new roll with the roll extremity on the top.
- 7) Put the paper extremity in the slot "2".
- 8) Move up the white lever "4" in order to close the print head. The flashing of the warning light get back to normal and the sound signals stop.
- 9) Move forward the paper thanks to the button "5".
- 10) Print a test ticket in pushing button "3".
- 11) Close again the printer in moving up all the mechanism.
- 12) Close again the printer's access door.



Design and specifications can change without notice.

Please consult MEGATRON for technical specifications before purchase or utilisation.

sf_d117_0409_e01



MEGATRON S.A.R.L
 ZI de Noyer – BP 1
 74200 ALLINGES
<http://imprimantes.megatron.fr>

Tél : +33 (0)4 50 70 54 54
 Fax : +33 (0)4 50 70 56 56
 Email : info@megatron.fr