

**MRS-2400  
MRS-3400  
MRS-4400**

**M-PANEL**

**3U PLASTIC CASE**

**58 MM DOT MATRIX PRINTER**

The MRS-400 family integrates a print head and the paper reserve in a black plastic case (grey in option, other colors on request and manufactured by minimum batches).

This case can be panel mounted by using four screws or rack mounted (standard dimensions 129 X 121,5 mm). Associated electronics is mounted at the back, making this unit a compact subassembly easy to implement. This printer is recommended for traceability applications where cost is more important than print speed.

**CHARACTERISTICS**

- Power supply and Paper feed LED indicator
- 2k Buffer
- DIP switch settings
- Dot line graphics
- Many functions : underline, stretch, upside down...
- Real time clock (optional) with interface or push button setting
- Dump Hexa printing mode available

**APPLICATIONS**

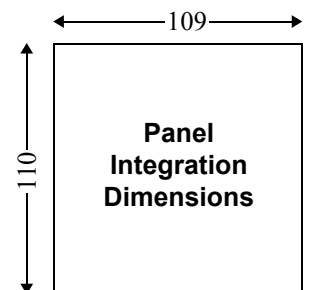
- Ticketing
- Measuring instruments
- Medical equipment
- Industry

**CONSUMABLES**

- Black ink ribbon
- Purple ink ribbon
- Simple thickness paper
- etc ...

**Part number**

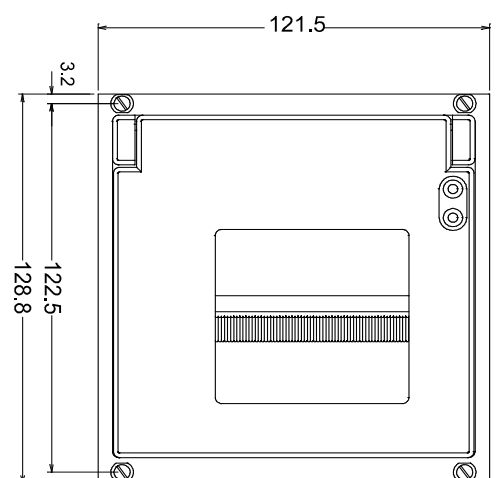
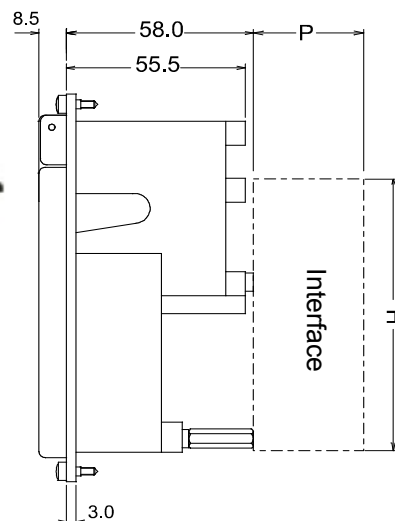
- MDE-250-N
- MDE-250-V
- MPA-NO-58-50-1



**DOT MATRIX PRINTER**

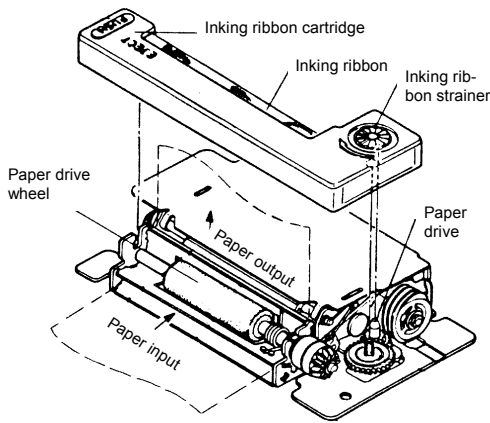


- Dot matrix printer 24, 32 or 40 char / line
- 58 mm paper width
- 5 VDC, 9-40 VDC or mains power supply
- Serial TTL, V24, BC or parallel
- Compact design 129 x 121,5 mm



**Overall printer dimensions in mm**





HEAD	2	3	4
Reference	M-160	M-163	M-164
Char / line	24	32	40
Dots / line	144	192	240
Text printing speed	~ 0,7 l/s	~ 0,5 l/s	~ 0,4 l/s
Paper feed speed	2,5 mm/s	1,6 mm/s	1,3 mm/s
Character size (l x h mm)	1,7 x 2,4	1,3 x 2,4	1,1 x 2,4
Operating temperature		0° to 50°C	
MCBF (lines)		~ 500 000	

INTERFACE	1	2	3	4
Interface	Serial TTL	RS232C/V24	Current Loop	Parallel
Protocol	RTS/DTR XON/XOFF	RTS/DTR XON/XOFF	BUSY/READY	STROBE/BUSY

POWER SUPPLY	1	2	3
Type	5 VDC ±5%	230 VAC / 50-60 Hz	9 to 40 VDC
Medium consumption	0,8 A	10 VA	0,2 A (à 24V)
Peak consumption	1,5 A		0,5 A
Protection	none	Fuse	Zener + Fuse
Dimensions ( L x H x P mm)	100 x 60 x 35	100 x 110 x 40	100 x 90 x 35

P and H dimensions allow to know the overall printer dimensions according to the selected electronics.

To obtain the ordering part number, just replace the letter « x » by the corresponding value in the following table :

Part number :		MRS - X 4 X X - X X	
		HEAD	CONNECTION
24 char / line	2		- with connectors
32 char / line	3		K with PC link cable
40 char / line	4		and power supply cable (1m50)
		CASE	REAL TIME CLOCK
3U plastic case, without rewinder	4		- non installed
			C installed
		INTERFACE	POWER SUPPLY
serial TTL	1		1 5 VDC
serial RS232C / V24	2		2 230 VAC
serial Current Loop	3		3 9 .. 40 VDC
parallel	4		

Design and specifications are subject to change without notice.

Please contact Megatron for technical specifications before purchase or utilisation.

sf\_mrs400\_0408\_e01



MEGATRON S.A.R.L  
ZI de Noyer – BP 1  
74200 ALLINGES  
<http://imprimantes.megatron.fr>

Tél : +33 (0)4 50 70 54 54  
Fax : +33 (0)4 50 70 56 56  
Email : [info@megatron.fr](mailto:info@megatron.fr)